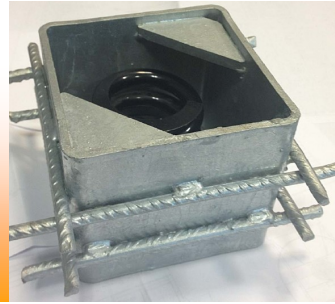


## FLOATING FLOOR DAMPER ACC-3080



Frec. 3 a 7 Hz.

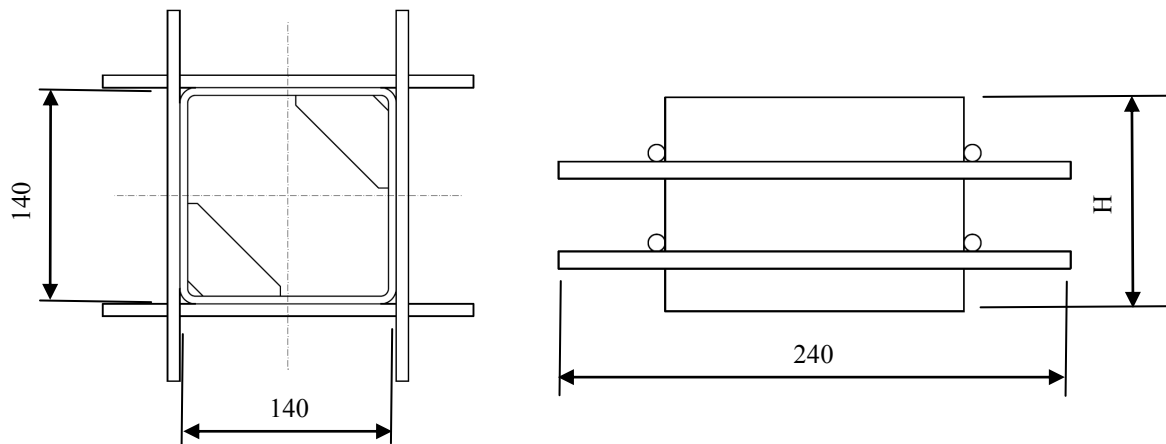
### APPLICATIONS

Low frequency dampers for isolation of concrete slabs where machines with speeds > 250 rpm, fans, motors, pumps, air conditioning, compressors, recording music halls, gyms, etc.

### DESCRIPTION

- Metal plates in galvanized Steel or carbon Steel. Stainless Steel plates on request.
- Spring in special Steel for infinite life, black paint.
- Natural frequency: 3-7 Hz (Vertical).
- Embedded system in the concrete slab.
- Structural resistance: 4 g's vertically and 2 horizontally, depend on slab.

### DIMENSIONAL FEATURES



Type	Load (daN)	H (mm)	Slab thickness (mm)
ACC-3080-01	28-50	100	Concrete pad
ACC-3080-02	50-80	100	Concrete pad
ACC-3080-03	80-125	100	Concrete pad
ACC-3080-04	125-210	100	100
ACC-3080-05	210-320	120	120
ACC-3080-06	390-580	120	120-180
ACC-3080-07	580-2200	200	200-300
ACC-3080-08	2200-5000	350	300-400