

## RUBBER DAMPER, SMALL LOADS

ACC-5030

Nat. Freq. 6 - 15 Hz



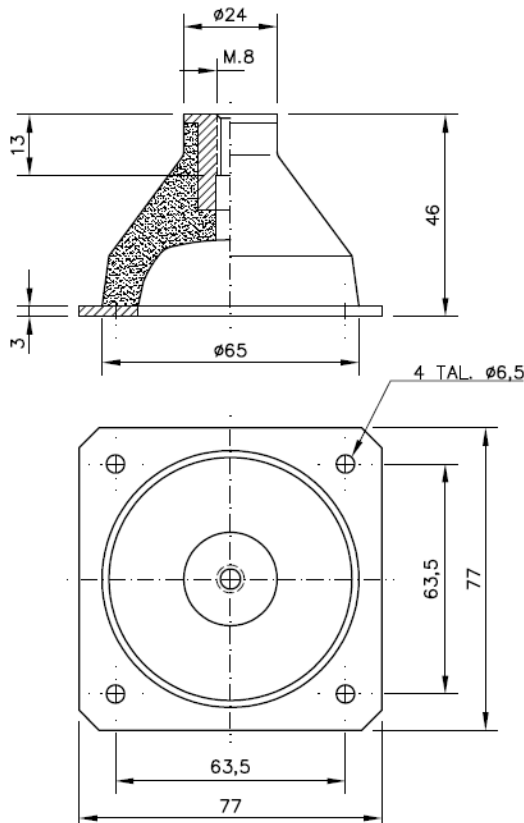
### APPLICATIONS

Rubber damper to support pumps, engines, electronic equipment, etc. It can also isolate small shocks.

### DESCRIPTION

- Sticked over a metal base.
- Elastic element: natural rubber, also available other materials like chloroprene to work under aggressive environments.
- Natural Frequency:
  - Axial: 6 - 15 Hz (depending on the weight)
  - Maximum amplitude at resonance: 1,5 mm.
  - Maximum displacement with dynamic loads: axial <25 mm
- Weight: 0,20 kg up to 0,30 kg, depending on the model.

### DIMENSIONS



Part	Load (daN)
ACC-5030-01	1-5
ACC-5030-02	5-10
ACC-5030-03	8-15
ACC-5030-04	13-20
ACC-5030-05	18-25