

RUBBER DAMPER
ACC-5020

Nat. Freq. 15 - 25 Hz



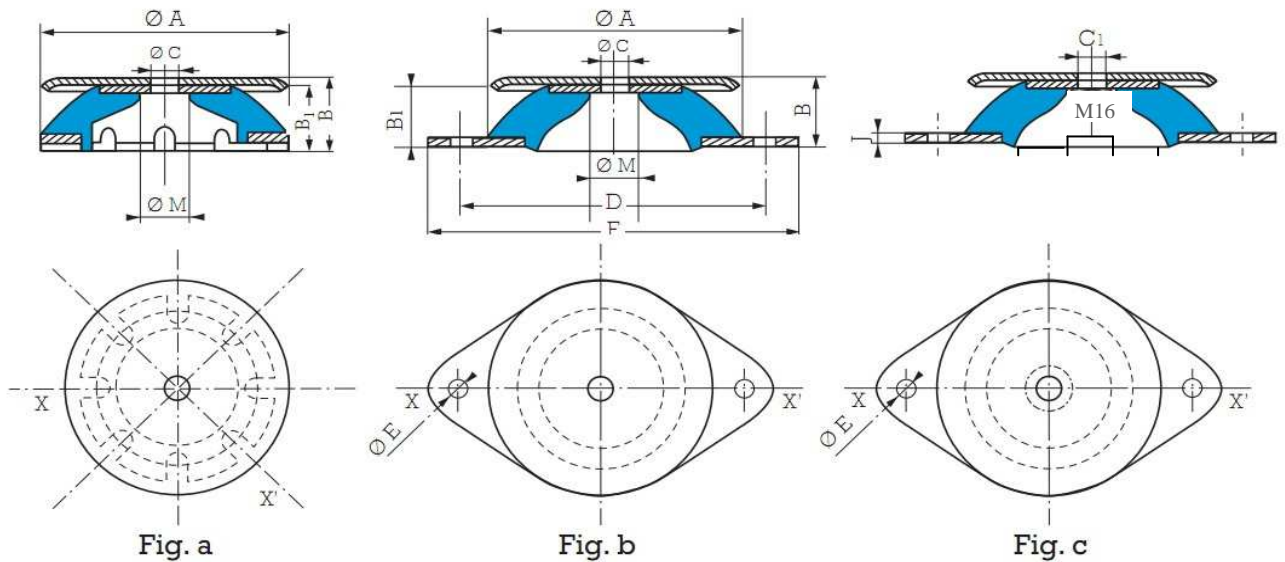
APPLICATIONS

Rubber Damper to support rotating equipment with speed above 400 rpm, fans, engines, pumps, air conditioning, compressors, etc.

DESCRIPTION

- Galvanized Steel bases.
- Material: natural rubber
- Mounted by flange and safety washer for safety against a break.
- Available Hardness 45, 60 and 75 shore.
- Weight: 0,8 - 7 kg, depending on the model.
- Working temperature for silicon arrangements -20° C - 70° C.

DIMENSIONS



Part	A(mm)	B(mm)	C(mm)	D(mm)	Fig.	Stiffness 45 IRHD		Stiffness 60 IRHD		Stiffness 60 IRHD	
						(daN)	(mm)	(daN)	(mm)	(daN)	(mm)
ACC-5050-01	20	11	6,2	52	C	1-6	1	2-8	0,8	2-10	0,6
ACC-5050-02	26	28	8	52	C	5-20	1,5	7-30	1,3	10-40	0,9
ACC-5050-03	37,5	40	12,1	52	C	10-50	2,6	15-65	1,8	15-65	2,6
ACC-5050-04	37,5	51	12,1	76	C	15-70	4,2	20-80	1,7	20-85	1,9
ACC-5050-05	49,1	47	12,2	76	C	20-85	4,2	25-100	3,5	25-110	3,6
ACC-5050-06	49,1	60	12,2	76	C	25-100	3,7	25-110	1,7	30-120	2,2
ACC-5050-07	80	27	8,1	100	B, C	22-45	4,5	40-80	4,5	60-120	4