

CONICAL RUBBER DAMPERS ACC-5120



Natural Frequency: 15 to 25 Hz

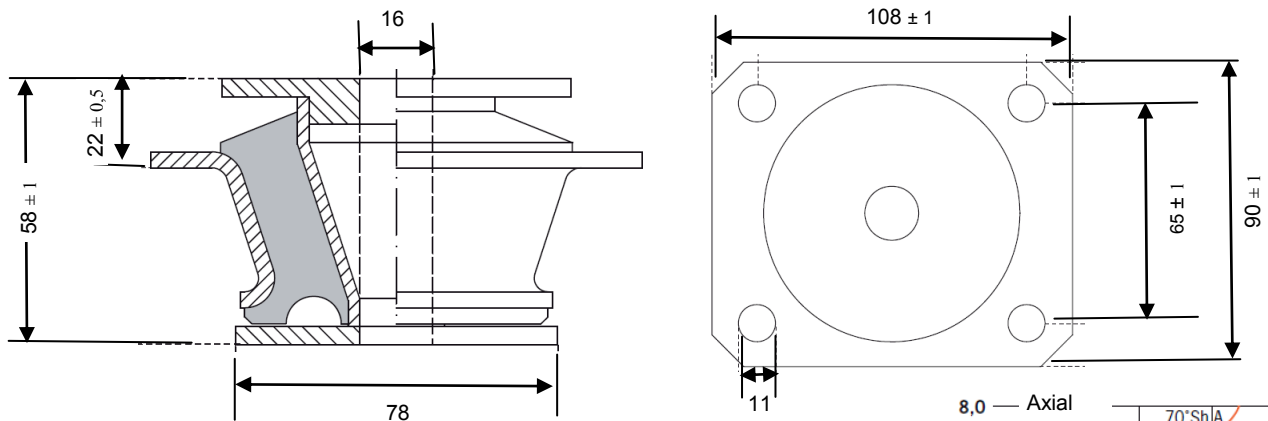
APPLICATIONS

Rubber damper for the suspension of machines with speeds from 1000 rpm, fans, motors, pumps, air conditioning, compressors, railway, military and industry applications, etc.

DESCRIPTION

- In zincated steel metal bases.
- Natural rubber elastic material.
- Through threaded rod assembly
- Hardness of 45, 60 and 75 shore.
- Weight: 0.2 to 5 kg, depending on model.

DIMENSIONAL FEATURES



Part	Hardness (Sh A)	Max. Load (daN)	Max. Deflex. Axial (mm)	Max. Load (daN)	Max Deflex. Radial (mm)
ACC-5120-01	40	300	7	700	5,8
ACC-5120-02	55	500	7	1000	6
ACC-5120-03	70	700	6,5	1200	4

(daN) aproxi, igual a Kg

