

RUBBER DAMPER ACC-5941

Nat. Freq.: 9 - 20 Hz



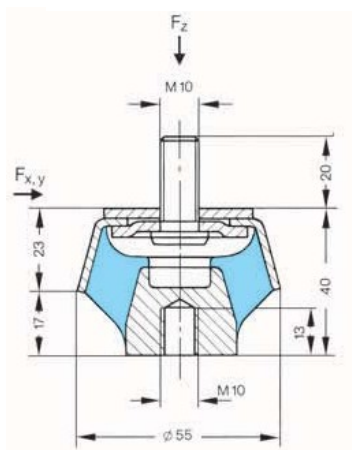
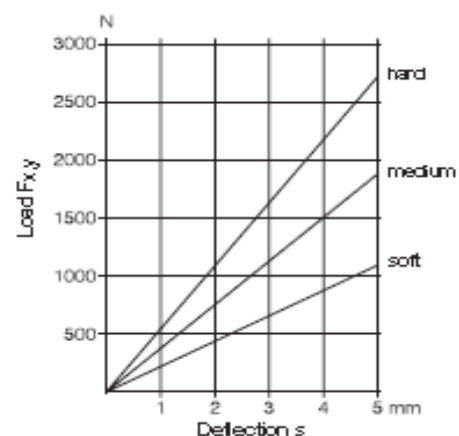
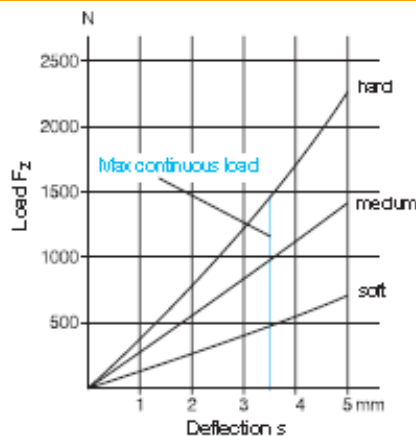
APPLICATIONS

Rubber Damper to support rotating equipment with speed above 600 rpm, fans, engines, pumps, air conditioning, compressors, electric and electronic equipment, etc.

DESCRIPTION

- Metal bases.
- Elastic Material: natural rubber.
- Top mount threaded shaft M10.
- Working Temperature -30°C 60°C .
- It can work with lateral loads.
- High lateral stability.
- Metal housing to prevent oil and gasoline splash.

DIMENSIONS



| Part | Load (daN) | Max. deflection (mm) |
|-------------|------------|----------------------|
| ACC-5941-01 | 10-40 | 3,6 |
| ACC-5941-02 | 40-70 | 3,5 |
| ACC-5941-03 | 70-110 | 3,5 |