

## SQUARE METAL CUSHION FOR PIPES ACC-8010

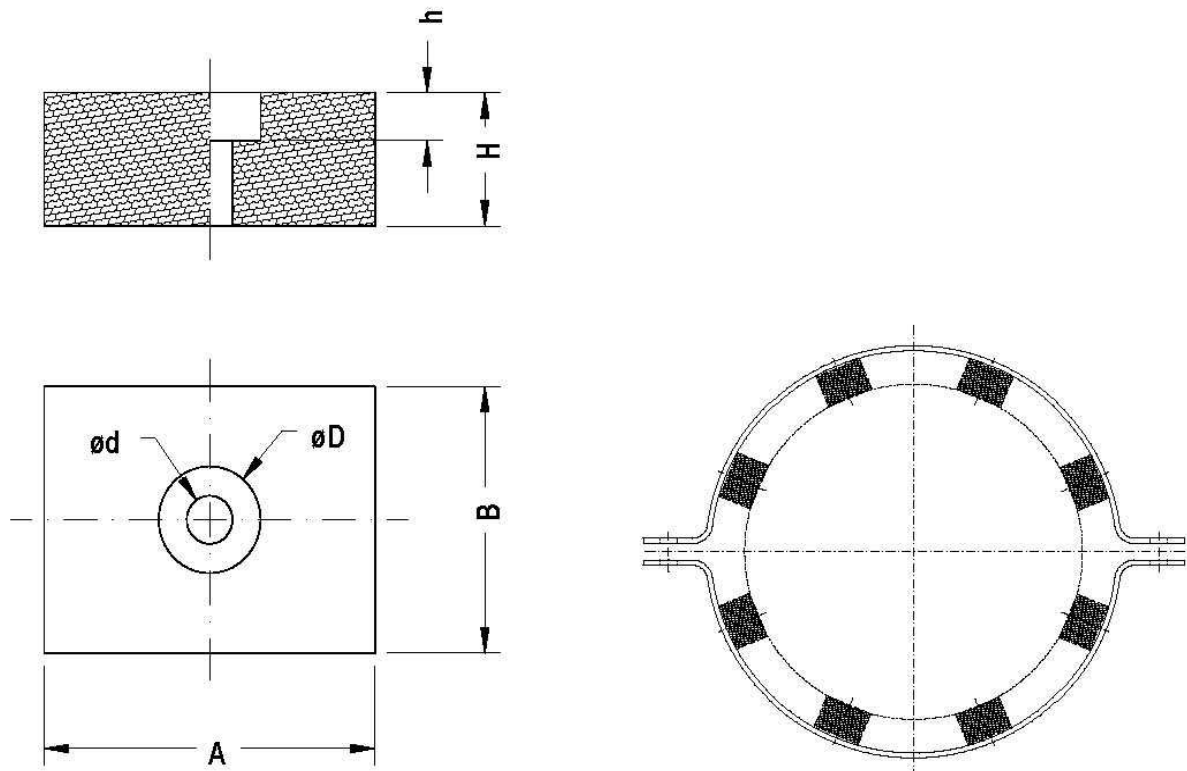


### APPLICATIONS

Stainless Steel mesh square metal cushion to isolate vibrations. Resilient suspension of gears boxes, pumps, fans, exhaust pipelines, etc.

### DESCRIPTION

- High load capability.
- High dynamic load capability
- Almost no ageing.
- Material: 100% Stainless Steel.



Part	Dimensions (mm)						Static load (daN)
	Ø D	Ø d	A	B	H	h	
ACC-8010-01	11.0	6.4	29.9	29.9	19.0	8.5	10 - 80
ACC-8010-02	20.0	9.0	53.0	49.0	25.0	9.0	30 - 300
ACC-8010-03	20.0	9.0	65.0	50.0	25.0	9.0	30 - 500